



MODEL: SCB SERIES COUNTER MODEL GAS CHARBROILERS

WOLF RANGE COMPANY

MODEL: SCB SERIES Counter Model Gas CharBroilers



Model SCB25

BASIC MODELS:

SCB25C	25¼" wide.	SCB47C	46¾" wide
SCB36C	36" wide.	SCB60C	60" wide.

KEY FEATURES:

- Stainless steel sides, control panel, top rim, backsplash and grease trough.
- Full width front grease drawer.
- Heavy cast iron reversible char-radiants and "Flame Arrestor" broiling grates.
- 5¼" wide grates are reversible for "level" broiling or self cleaning. Cast-in pitched grease trough in each grate blade provides fat run-off and controls flare-ups.
- One 14,500 BTU/hr. burner for each broiling grate.
- Standing pilot ignition system.
- One infinite heat control valve for each burner.
- Underburner deflector system reflects heat upwards creating a "Cool Zone" in the grease drawer and drip pan areas.
- 4" adjustable legs.
- ¾" rear gas connection and gas pressure regulator.
- One year limited parts and labor warranty.

OPTIONAL FEATURES:

- Stainless steel stand with marine lip, under-shelf and casters.
- Stainless steel backsplash
- Plate rail.
- Cast iron grates: slanted, straight, diamond and waffle pattern. Stainless steel grates: round and diamond pattern.

DESCRIPTION:

High volume gas charbroiler, Wolf Model No. _____. Stainless steel sides, control panel, top rim, backsplash and grease trough. Full width front grease drawer. Heavy cast iron char-radiants and "Flame Arrestor" broiling grates. 5¼" wide grates are reversible for "level" broiling or self cleaning. Cast-in pitched grease trough in each grate blade provides fat run-off and controls flare-ups. One 14,500 BTU/hr. burner for each broiler grate. Standing pilot ignition system. One infinite heat control valve for each burner. Underburner deflector system reflects heat upwards creating a "Cool Zone" in the grease drawer and drip pan areas. 4" adjustable legs. ¾" rear gas connection with gas pressure regulator.

Exterior dimensions: _____"w x 27¼"d x 13" working height on 4" adjustable legs.



CSA design certified. NSF listed.

Approved by _____

Date: _____

**SPECIFY TYPE OF GAS WHEN ORDERING.
SPECIFY ALTITUDE WHEN ABOVE 2,000 FT.**

WOLF RANGE COMPANY

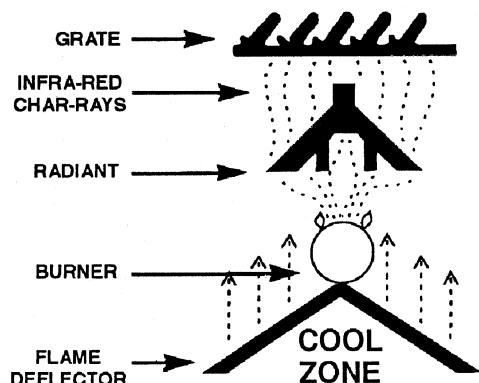
Wolf Range Company
Division of ITW Food Equipment Group LLC
(800) 366-9653
www.wolfrange.com



MODEL: SCB SERIES COUNTER MODEL GAS CHARBROILERS

INSTALLATION REQUIREMENTS:

1. A gas pressure regulator sized for this unit is included.
Natural Gas 5.0" W.C. Propane Gas 10.0" W.C.



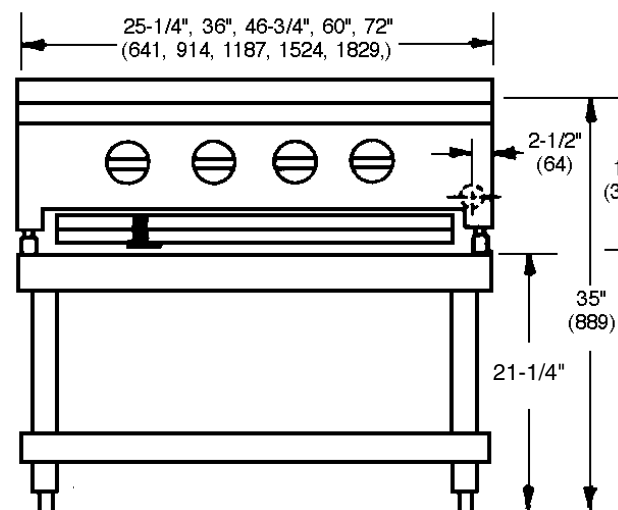
2. An adequate ventilation system is required for commercial cooking equipment. Information may be obtained by writing to the National Fire Protection Association, 1 Batterymarch Park, Quincy, MA 02169, www.NFPA.org. When writing, refer to NFPA No. 96.
3. These units are manufactured for installation in accordance with National Fuel Gas Code, ANSI-Z223.1/NFPA #54 (latest edition). Copies may be obtained from The American Gas Association, Accredited Standards Committee Z223 @ 400N. Capital St. NW, Washington, DC 20001, or the Secretary Standards Council, NFPA, 1 Batterymarch Park, Quincy, MA 02169-7471.

NOTE: In the Commonwealth of Massachusetts

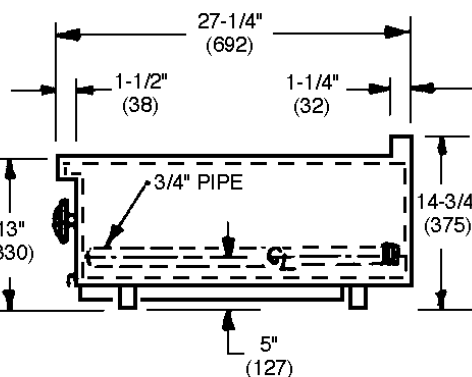
All gas appliances vented through a ventilation hood or exhaust system equipped with a damper or with a power means of exhaust shall comply with 248 CMR.

4. This appliance must be installed with a 6" clearance at both sides and the rear adjacent to combustible construction.

COUNTER MODEL ON STAND



COUNTER MODEL



Model	Width	Depth	Overall Height	Working Height	Broiling Area	No. of Burners	Total BTU/hr.	Appx. Shp. Wt. (lbs/kg)
SCB25C	25 $\frac{1}{4}$ "	27 $\frac{1}{4}$ "	14 $\frac{3}{4}$ "	13"	21 $\frac{1}{2}$ " x 20 $\frac{1}{2}$ "	4	58,000	290/131
SCB36C	36"	27 $\frac{1}{4}$ "	14 $\frac{3}{4}$ "	13"	32" x 20 $\frac{1}{2}$ "	6	87,000	370/167
SCB47C	46 $\frac{3}{4}$ "	27 $\frac{1}{4}$ "	14 $\frac{3}{4}$ "	13"	43" x 20 $\frac{1}{2}$ "	8	116,000	450/203
SCB60C	60"	27 $\frac{1}{4}$ "	14 $\frac{3}{4}$ "	13"	56 $\frac{3}{8}$ " x 20 $\frac{1}{2}$ "	11	159,500	500/225
SCB72C	72"	27 $\frac{1}{4}$ "	14 $\frac{3}{4}$ "	13"	66 $\frac{3}{8}$ " x 20 $\frac{1}{2}$ "	13	188,500	550/248

NOTE: In line with its policy to continually improve its product, Wolf Range Company reserves the right to change materials and specifications without notice.

This appliance is manufactured for commercial use only and is not intended for home use.